



Atherton
bikes

TECHNICAL INFORMATION
ATHERTON ENDURO AM

FRAME SPECIFICATION



Frame Construction: Bonded Titanium / Carbon Fibre

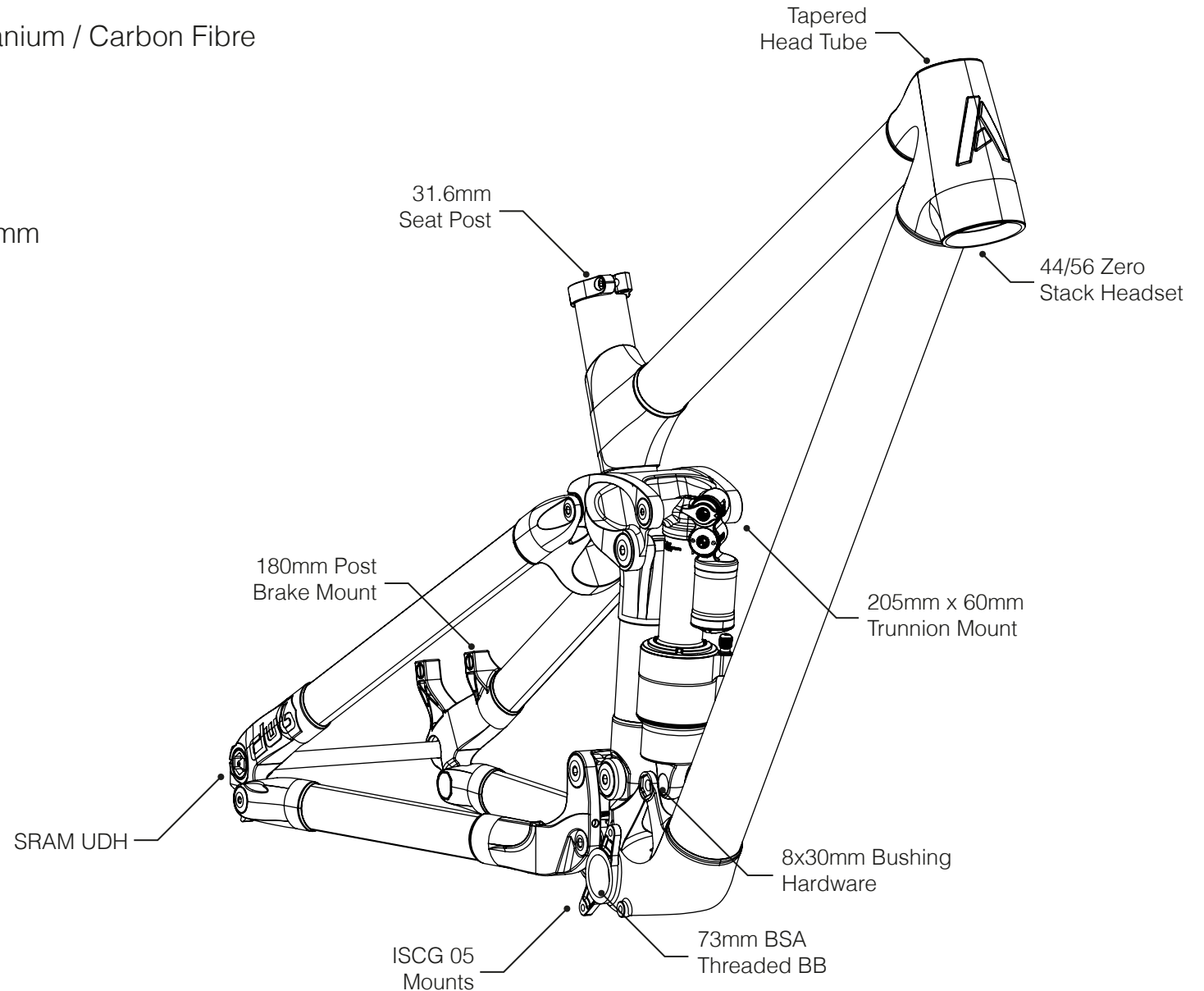
Rear Travel: 150mm

Wheel Size: 29"

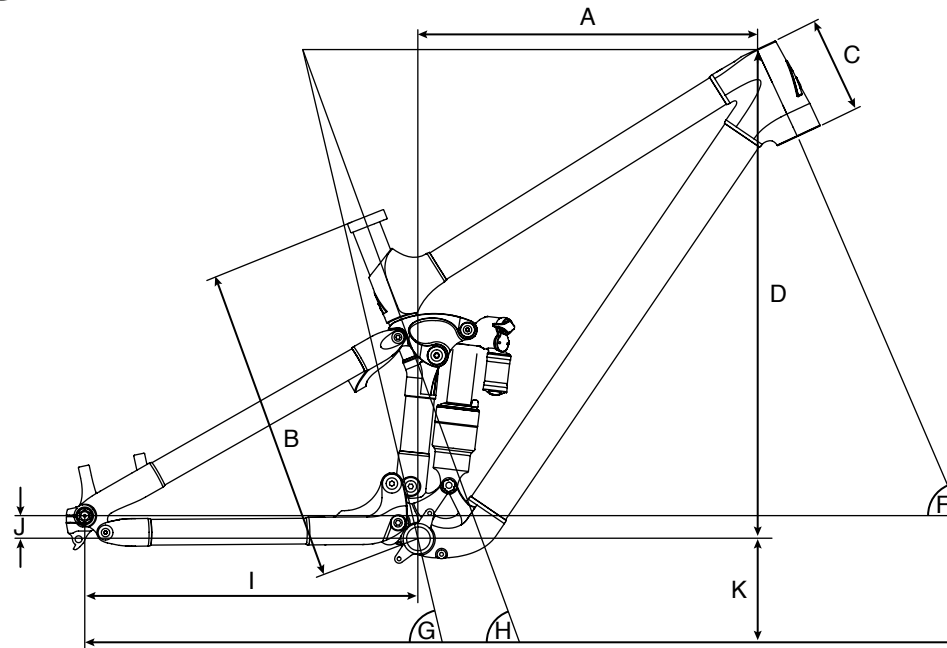
Rear Axle Spacing: 148mm X 12mm

Cable Routing: Internal

Bottle Mounts: Optional



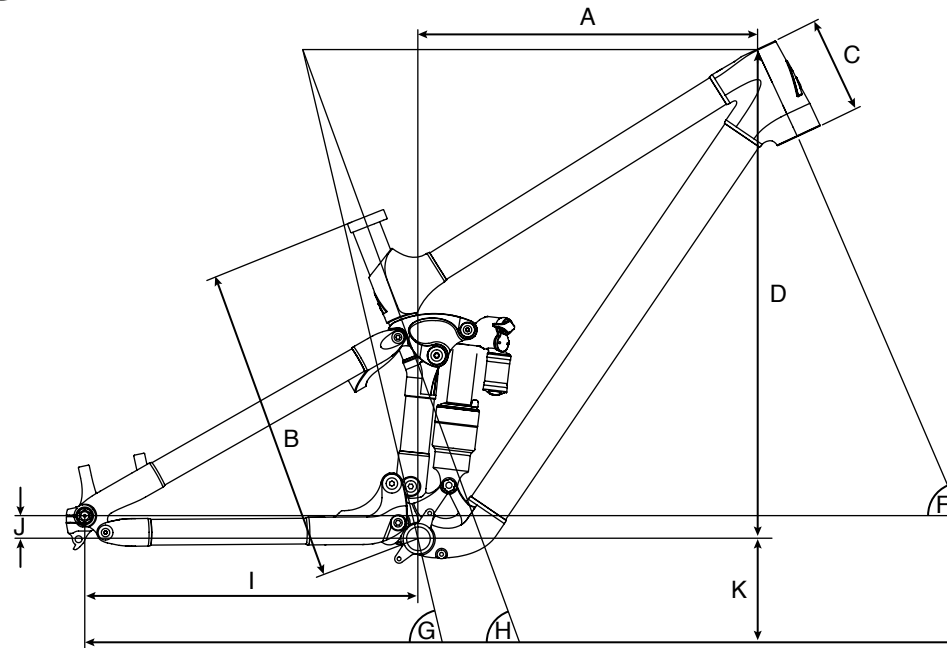
FRAME GEOMETRY



Size	A Reach (mm)	B Seattube Length (mm)	C Headtube (mm)	D Stack (mm)	E Wheelbase (mm)	F Head Angle (°)	G Effective Seattube Angle (°)	H Actual Seattube Angle (°)	I Chainstay (mm)	J BB Offset (mm)	K BB Height (mm)
1 (410 Low)	410	395	100	619	1167	65	77	69.5	433	-30	343
2 (420 Low)	420	395	100	619	1177	65	77	69.5	433	-30	343
3 (430 Low)	430	395	100	619	1187	65	77	69.5	433	-30	343
4 (440 Low)	440	395	100	619	1197	65	77	69.5	433	-30	343
5 (450 Low)	450	395	110	628	1216	65	78	71	438	-30	343
6 (450 Reg)	450	415	125	641	1216	65	78	71	438	-30	343
7 (460 Low)	460	395	110	628	1226	65	78	71	438	-30	343
8 (460 Reg)	460	415	125	641	1226	65	78	71	438	-30	343
9 (470 Low)	470	395	110	628	1236	65	78	71	438	-30	343
10 (470 Reg)	470	415	125	641	1236	65	78	71	438	-30	343
11 (480 Low)	480	395	110	628	1246	65	78	71	438	-30	343



FRAME GEOMETRY



Size	A Reach (mm)	B Seat tube Length (mm)	C Head tube (mm)	D Stack (mm)	E Wheelbase (mm)	F Head Angle (°)	G Effective Seat tube Angle (°)	H Actual Seat tube Angle (°)	I Chainstay (mm)	J BB Offset (mm)	K BB Height (mm)
12 (480 Reg)	480	415	125	641	1246	65	78	71	438	-30	343
13 (490 Reg)	490	415	125	641	1268	65	78	71	443	-30	343
14 (490 Tall)	490	440	125	641	1268	65	78	71	443	-30	343
15 (500 Reg)	500	415	125	641	1278	65	78	71	443	-30	343
16 (500 Tall)	500	440	125	641	1278	65	79	72.4	443	-30	343
17 (510 Reg)	510	415	125	641	1288	65	78	71	443	-30	343
18 (510 X-Tall)	510	460	125	641	1288	65	79	72.4	443	-30	343
19 (520 Tall)	520	440	125	641	1298	65	78	71	443	-30	343
20 (520 X-Tall)	520	460	125	641	1298	65	79	72.4	443	-30	343
21 (530 Tall)	530	440	125	641	1308	65	79	72.4	443	-30	343
22 (530 XX-Tall)	530	475	125	641	1308	65	79	72.4	443	-30	343



FRAME HARDWARE



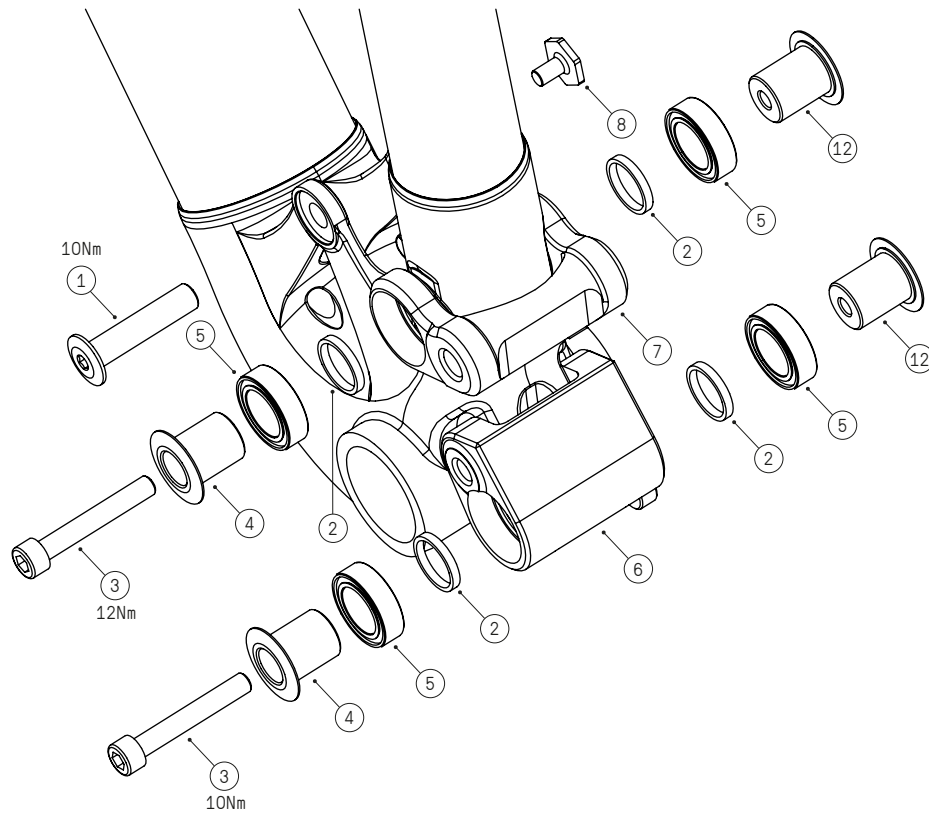
Ref.	Part No.	Description	Qty.
1	002.2008	SHOCK LOWER MOUNT PIVOT	1
2	002.1004	SPACER (15 x 18 x 2.5)	8
3	011.1001	SOCKET HEAD CAP SCREW M6 X 40	2
4	002.2011	SEAT TUBE PIVOT MALE	3
5	011.1050	BEARING 3802	8
6	101.5003	LOWER LINK	1
7	101.5002	UPPER LINK	1
8	002.2010	PIVOT HEX BOLT	3
9	002.2002	SEAT STAY PIVOT	2
10	011.1051	BEARING 11197-2RS	6
11	002.1002	SPACER (11 x 14 x 2.5)	6
12	002.2011	SEAT TUBE PIVOT FEMALE	3
13	002.2009	SHOCK UPPER MOUNT	4
14	101.5001	ROCKER	1
15	101.0005	SEAT STAY ASSEMBLY	1
16	011.1002	SOCKET HEAD CAP SCREW M6 X 50	1
17	002.2007	YOKE PIVOT UPPER	2
18	002.2001	DROPOUT PIVOT	2
19	011.1052	BEARING 698 LLU MAX-E	4
20	002.2003	REAR END SCREW CAP	2
21	011.1004	M5 X 10 T25 PAN HEAD TORX	2

Ref.	Part No.	Description	Qty.
22	011.1007	M6 BARREL NUT	2
23	00.4318.050.001	SRAM AM AX MAXLE STLTH AXLE (180)	1
24		UDH FRAME WASHER	1
25	00.7918.093.000	UDH BOLT	1
26		UDH REAR DERAILLEUR HANGER	1
27	011.1005	SOCKET HEAD CAP SCREW M5 X 14	1
28	011.1006	M5 BARREL NUT	1
29	001.1007	SEAT POST CLAMP	1

Additional Information:

- Loctite 241 thread lock to be applied to threaded sections of all bolts (excluding seat clamp, BB shell and wheel axle).
- Multi-purpose grease to be applied to all pivot shafts, the rear axle shaft and the bearing housings.
- Torque values are location specific (see exploded diagrams). If using the bottle cage mounting threads, bolts should be torqued to 5Nm.

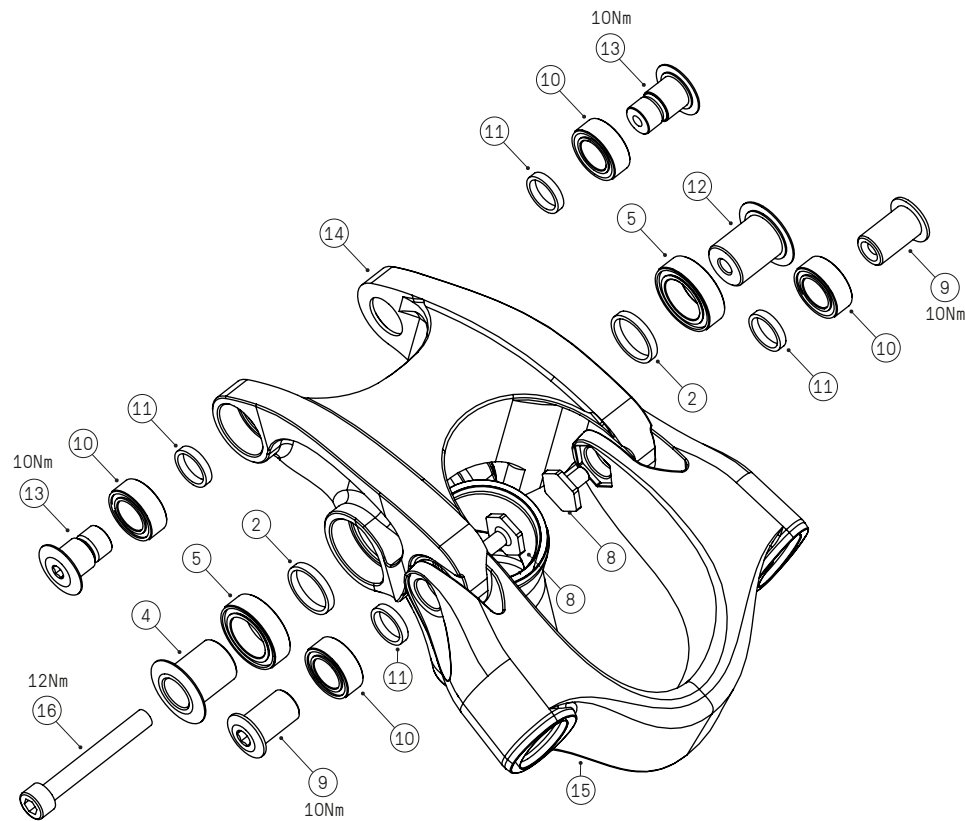
LOWER LINKAGE ASSEMBLY



Ref.	Part No.	Description	Qty.
1	002.2008	SHOCK LOWER MOUNT PIVOT	1
2	002.1004	SPACER (15 x 18 x 2.5)	4
3	011.1001	SOCKET HEAD CAP SCREW M6 X 40	2
4	002.2011	SEAT TUBE PIVOT MALE	2
5	011.1050	BEARING 3802	4
6	101.5003	LOWER LINK	1
7	101.5002	UPPER LINK	1
8	002.2010	PIVOT HEX BOLT	1
12	002.2011	SEAT TUBE PIVOT FEMALE	2

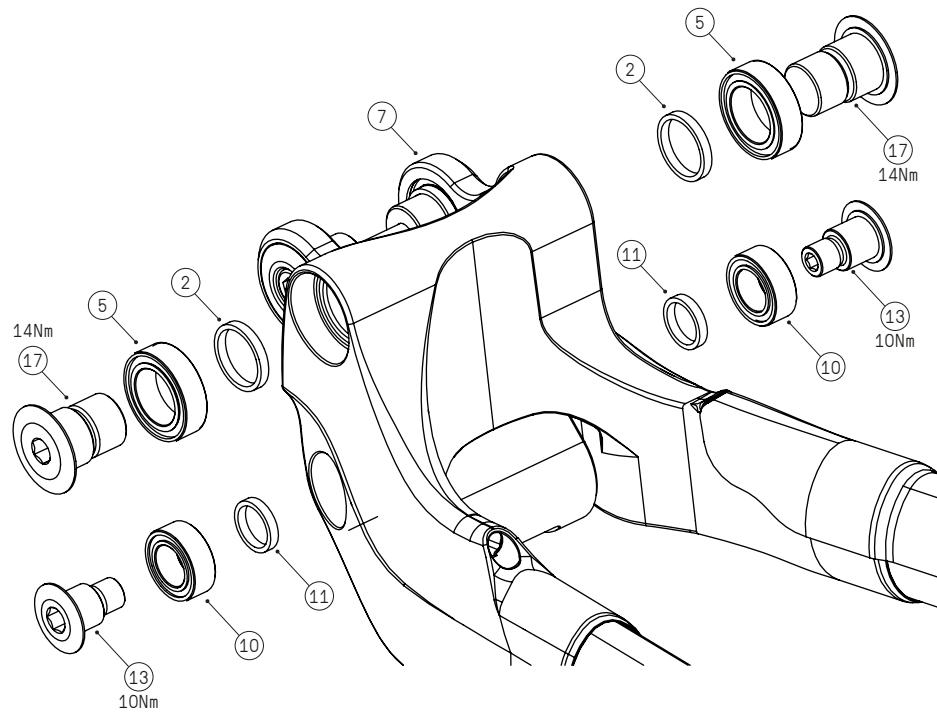


ROCKER LINKAGE ASSEMBLY



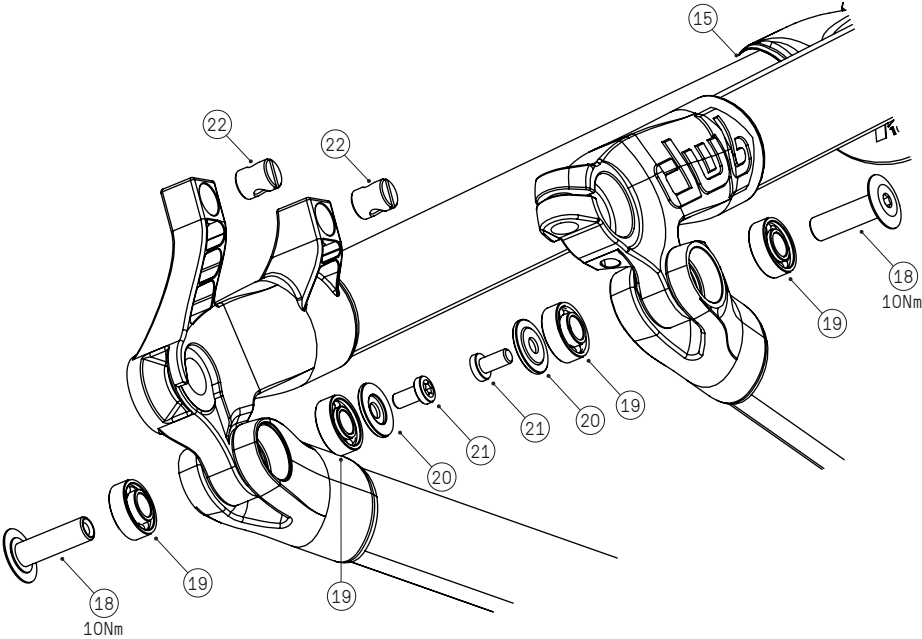
Ref.	Part No.	Description	Qty.
2	002.1004	SPACER (15 x 18 x 2.5)	2
4	002.2011	SEAT TUBE PIVOT MALE	1
5	011.1050	BEARING 3802	2
8	002.2010	PIVOT HEX BOLT	2
9	002.2002	SEAT STAY PIVOT	2
10	011.1051	BEARING 11197-2RS	4
11	002.1002	SPACER (11 x 14 x 2.5)	4
12	002.2011	SEAT TUBE PIVOT FEMALE	1
13	002.2009	SHOCK UPPER MOUNT	2
14	101.5001	ROCKER	1
15	101.0005	SEAT STAY ASSEMBLY	1
16	011.1002	SOCKET HEAD CAP SCREW M6 X 60	1

SWINGARM LINKAGE ASSEMBLY



Ref.	Part No.	Description	Qty.
2	002.1004	SPACER (15 x 18 x 2.5)	2
5	011.1050	BEARING 3802	2
7	101.5002	UPPER LINK	1
10	011.1051	BEARING 11197-2RS	2
11	002.1002	SPACER (11 x 14 x 2.5)	2
13	002.2009	SHOCK MOUNT UPPER	2
17	002.2007	YOKE PIVOT UPPER	2

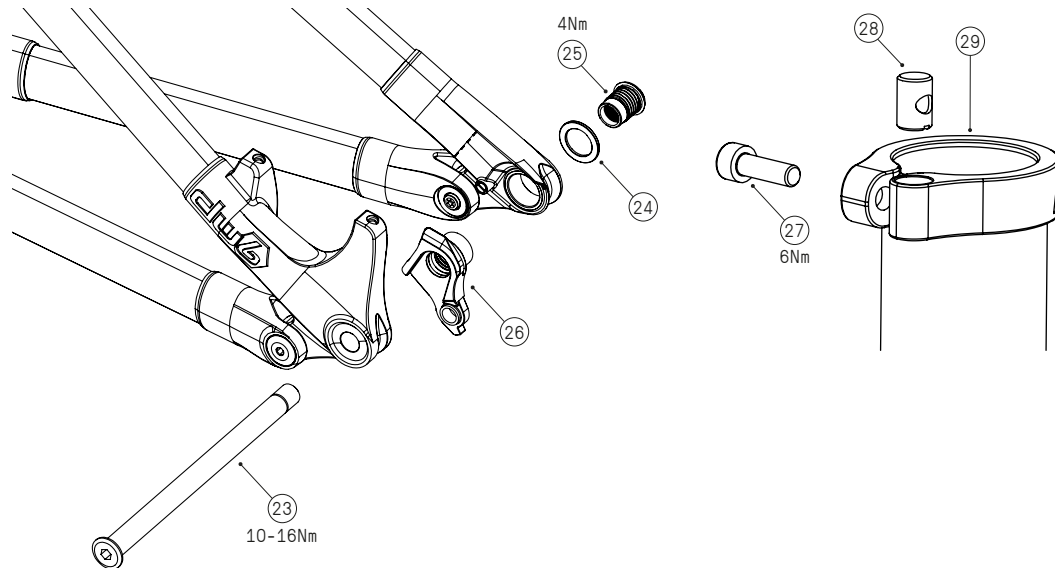
REAR ASSEMBLY



Ref.	Part No.	Description	Qty.
15	101.0005	SEAT STAY ASSEMBLY	1
18	002.2001	DROPOUT PIVOT	2
19	011.1052	BEARING 698 LLU MAX-E	4
20	002.2003	REAR END SCREW CAP	2
21	011.1004	M5 X 10 T25 PAN HEAD TORX	2
22	011.1007	M6 BARREL NUT	2



REAR AXLE/HANGER & SEAT CLAMP ASSEMBLY



Ref.	Part No.	Description	Qty.
23	00.4318.050.001	SRAM AM AX MAXLE STLTH AXLE	1
24		UDH FRAME WASHER	1
25	00.7918.093.000	UDH BOLT	1
26		UDH REAR DERAILLEUR HANGER	1
27	011.1005	SOCKET HEAD CAP SCREW M5 X 14	1
28	011.1006	M5 BARREL NUT	1
29	001.1007	SEAT POST CLAMP	1

CONTACT

Email: sales@athertonbikes.com

Web: www.athertonbikes.com

Atherton
bikes